

## iTN8200 400G DWDM/OTN Platform

Raisecom iTN8200 is a new generation 400G DWDM/OTN intelligent transmission network platform, which adopts a standard 19 inch, 2U chassis, up to 8 service slots. The compact design improves the equipment integration and reduces the overall space occupied by the equipment.

This new 400G platform integrated with EDFA, ROADM, FOADM, OCM, OTDR, 100/200/400G transponder and muxponder, which meets the application needs of DCI (data center interconnect), Metro DWDM/OTN, cloud business and so on. It provides high-density interface access and up to 400G uplink bandwidth, meets the growing demand for bandwidth and services of the customers.

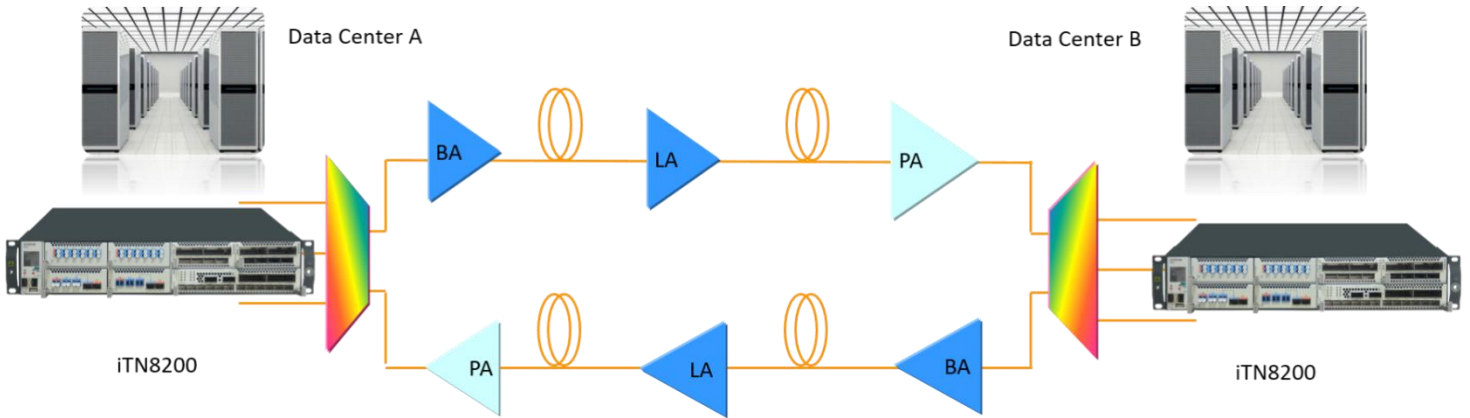
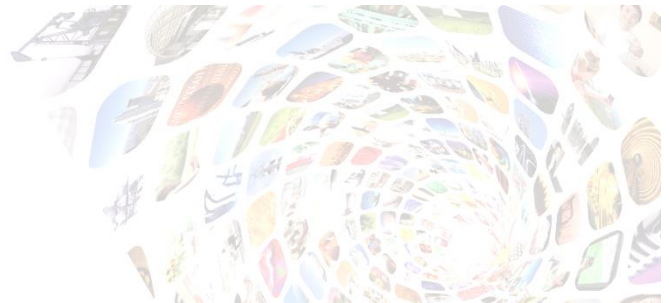


iTN8200

### Highlights

<b>Multiple services</b>	Featured with 2 cores, WDM/OTN, among which services can be scheduled.
<b>Flexible chassis</b>	2U, 19-inch, suitable for 600mm deep cabinet installation All slots of the proposed equipment are common except for power supply and controller slots
<b>High capacity</b>	8 small cards, or 4 large cards, up to 48/96 wavelengths DWDM, 400G per slot, 3.2T in total
<b>HMI</b>	LCD, display the local IP, alarm, etc
<b>Synchronous Ethernet</b>	Transparent transmission
<b>SNMP</b>	monitoring, control, alarm collection and display.

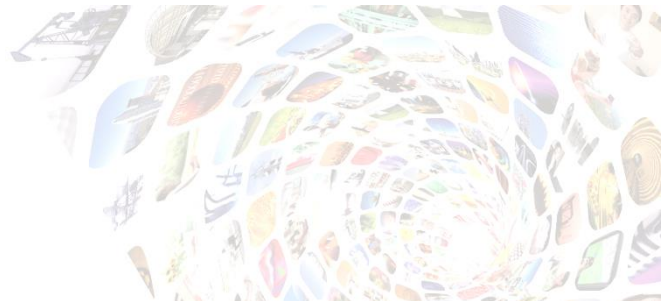
### Typical Applications



**Figure.1 iTN8200 DCI application**

## Technical Specifications

<b>Chassis</b>	<ul style="list-style-type: none"> <li>iTN8200: 8 small cards, or 4 large cards, 2 NMS card slots (1+1 redundancy), 2 power card slots (1+1 redundancy), 3 FANS card slot(2+1)</li> </ul>
<b>DWDM</b>	<ul style="list-style-type: none"> <li>Up to 48/96 wavelengths DWDM, Frequency grid according to ITU-T G.694.1 and G.694.2</li> </ul>
<b>Service capacity</b>	<ul style="list-style-type: none"> <li>400G per slot, 3.2T in total</li> </ul>
<b>Line-side optical module</b>	<ul style="list-style-type: none"> <li>100G CFP2 LR4/ER4 OTU4*(in roadmap)</li> <li>100G CFP2 DCO*(in roadmap)</li> <li>200G CFP2 DCO</li> <li>400G CFP2 DCO</li> </ul>
<b>Client-side optical module</b>	<ul style="list-style-type: none"> <li>SFP+</li> <li>QSFP+*(in roadmap)</li> <li>QSFP28</li> </ul>
<b>Line</b>	<ul style="list-style-type: none"> <li>OTU4*(in roadmap), OTUC2, OTUC4</li> </ul>
<b>Client</b>	<ul style="list-style-type: none"> <li>10GE, 100GE, and OTU4</li> </ul>
<b>Optical amplifier</b>	<ul style="list-style-type: none"> <li>EDFA, Booster amplifier, Line amplifier, Pre-amplifier</li> </ul>
<b>Power Supply</b>	<ul style="list-style-type: none"> <li>AC 220V and DC -48V,-60V,240 VHDC</li> </ul>
<b>Dimensions</b>	<ul style="list-style-type: none"> <li>2RU, 19inch</li> </ul>
<b>Environmental</b>	<ul style="list-style-type: none"> <li>Operating temperature (°C) (altitude: 0~1800 m): 0~40</li> </ul>



- Operating humidity: Long term: 5% – 85% RH (non-condensing, indoor)
- Overall power consumption ≤1300W

## Ordering Information

Chassis	iTN8200-II-DC	iTN8200, 2U chassis,19", include 2 DC power card and 3 FANS card.
NMS card	iTN8200-II-NTU	iTN8200 Management card, supports devices management, and 1+1 Hardware redundancy.
NMS interface card	iTN8200-II-NMI	iTN8200-NTU interface card. including 2 NM ports, and 2 MUX ports.
LCD monitor card	iTN8200-II-NUI	iTN8200 LCD monitor car, showing IP,Alarm,etc.
400G Transponder	iTN8200-II-TQ6S	400G transponder, 4x100G mux into 1x400G
200G Transponder	iTN8200-II-TQ5D	2*200G transponder, 2x100G mux into 1x200G. 4x100G on downlink, 2x200G on uplink.
200G Muxponder	iTN8200-II-TM5S	10x10G and 1x100G on downlink, 1x200G on uplink
	iTN8200-II-XT5S	20 x 10G on downlink, and 1 x 200G on uplink.
EDFA cards <sup>1</sup> (please check Note 1 for the spec)	iTN8200-II-OA25	BA+PA1
	iTN8200-II-OA35	BA+PA2
	iTN8200-II-OLA25	LA1+LA1
	iTN8200-II-OLA35A	LA1+LA2
Optical Line Protection card	iTN8200-II-OP1	1 channel Optical Line Protection card
	iTN8200-II-OP2	2 channel Optical Line Protection card
ROADM card	iTN8200-II-TWS090A25	9 channel WSS ROADM, integrated with BA,PA1,VOA.
	iTN8200-II-TWS090A35	9 channel WSS ROADM, integrated with BA,PA2,VOA.
FOADM card	iTN8200-II-TFF	4 channel FOADM, integrated with VOA
Optical channel monitor card	iTN8200-II-OCM	8 channel optical channel monitoring card.
OTDR card	iTN8200-II-OTDR	8 channel OTDR card
DWDM MUX/DEMUX	iTN8200-II-MUX48	48 ch Mux+Demux, 1U, 19-inch, 100GHz, C band
	iTN8200-II-MUX96	96 ch Mux+Demux, 1U, 19-inch, 50GHz, C band

### International Headquarters

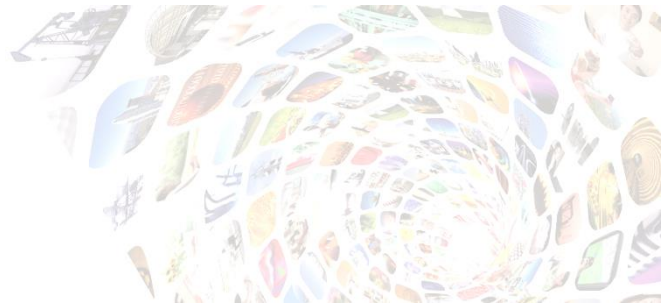
Raisecom Building, East-11, No.10 Xibeiwang East Road,  
Haidian District, Beijing, P.R.China, 100193  
Tel: +86 10 8288 3305  
Fax: +86 10 8288 3056  
[www.raisecom.com](http://www.raisecom.com)

### U.S.A. Headquarters

Address: 6380 N Eldridge Parkway, Houston,  
Texas 77041 USA  
Tel: 1-888-816-4808  
Email: [sales@raisecominc.com](mailto:sales@raisecominc.com)

### Raisecom Technology Co., Ltd.

Copyright@1999-2022  
All rights reserved  
Technical information is subjected to  
change without notice



Note 1:

Spec for EDFA Module				
	Gain	Max output power for single channel	Max output power	Input optical power range
BA	8~18dB	4dBm	21.5dBm	-18~+13dBm
PA1	15~25dB	4dBm	21.5dBm	-28~+6dBm
PA2	22~35dB	4dBm	21.5dBm	-35~+6dBm
LA1	15~25dB	4dBm	21.5dBm	-28~+6dBm
LA2	22~35dB	4dBm	21.5dBm	-35~+6dBm

Note 2:

Item	P/N	Max power consumption(W)
1	iTN8200-II-DC	1300 (overall)
2	iTN8200-TWS09OA35	65
3	iTN8200-II-OA35	28
4	iTN8200-XT5S	96
5	iTN8200-TM5S	120
6	iTN8200-TQ5D	75.6
7	iTN8200-TQ6S	72.3
8	UC2-200G/DCO-E	25
9	UQP-100G/LR4	4

Note 3:

Item	P/N	Weight(kg)
1	iTN8200-II-DC	14.5
2	iTN8200-II-AC	14.3
3	iTN8200-II-NTU	0.3
4	iTN8200-II-NMI	0.3
5	iTN8200-II-NUI	0.3

**International Headquarters**

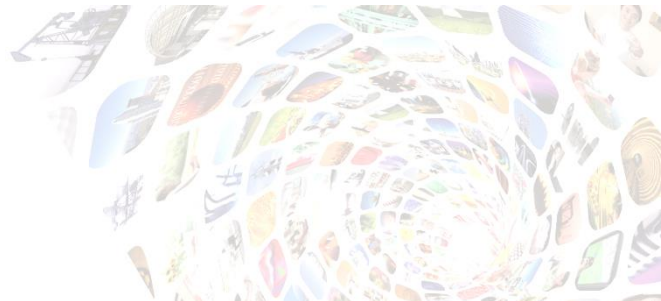
Raisecom Building, East-11, No.10 Xibeiwang East Road,  
Haidian District, Beijing, P.R.China, 100193  
Tel: +86 10 8288 3305  
Fax: +86 10 8288 3056  
[www.raisecom.com](http://www.raisecom.com)

**U.S.A. Headquarters**

Address: 6380 N Eldridge Parkway, Houston,  
Texas 77041 USA  
Tel: 1-888-816-4808  
Email: [sales@raisecominc.com](mailto:sales@raisecominc.com)

**Raisecom Technology Co., Ltd.**

Copyright@1999-2022  
All rights reserved  
Technical information is subjected to  
change without notice



6	iTN8200-XT5S	1.6
7	iTN8200-TM5S	1.6
8	iTN8200-TQ6S	1.0
9	iTN8600-TQ5D	1.0
10	iTN8200-II-AC	1.0
11	iTN8200-II-DC	1.1
12	iTN8200-II-FAN	1.0
13	iTN8200-II chassis	9.3

#### International Headquarters

Raisecom Building, East-11, No.10 Xibeiwang East Road,  
Haidian District, Beijing, P.R.China, 100193  
Tel: +86 10 8288 3305  
Fax: +86 10 8288 3056  
[www.raisecom.com](http://www.raisecom.com)

#### U.S.A. Headquarters

Address: 6380 N Eldridge Parkway, Houston,  
Texas 77041 USA  
Tel: 1-888-816-4808  
Email: [sales@raisecominc.com](mailto:sales@raisecominc.com)

#### Raisecom Technology Co., Ltd.

Copyright@1999-2022  
All rights reserved  
Technical information is subjected to  
change without notice